

# PEAS & CARROTS EXTRAS

## character map

### ORDINAL NUMBERS

1 1<sup>st</sup>

2 2<sup>nd</sup>

3 3<sup>rd</sup>

4 4<sup>th</sup>

5 5<sup>th</sup>

6 6<sup>th</sup>

7 7<sup>th</sup>

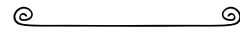
8 8<sup>th</sup>

9 9<sup>th</sup>

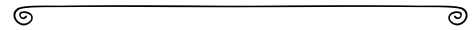
U



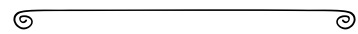
V



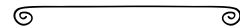
t



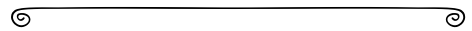
u



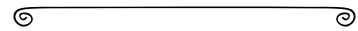
v



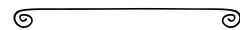
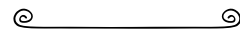
W



X



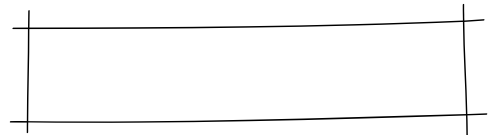
Y

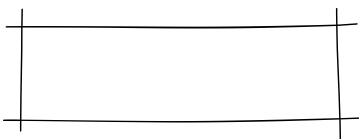
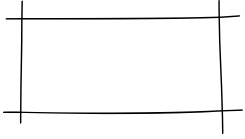
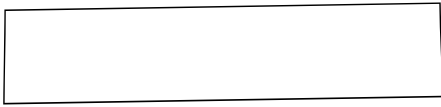


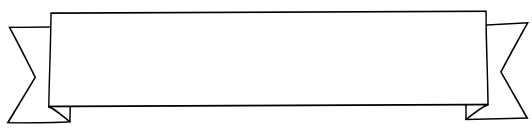
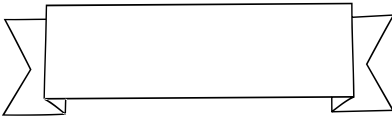
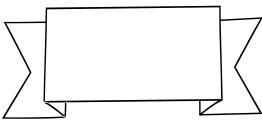
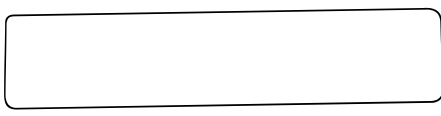

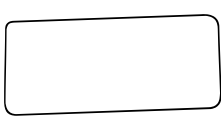


### FRAMES & BORDERS

T

W



x	
y	
!	
@	
#	
\$	
%	
^	
*	
(	
)	

## ACCENT WORDS

a	the
b	a
c	an
d	as
e	at
f	in
g	to
h	or
i	so
j	of
k	and
l	only
m	on

n by

H or

o from

I so

p than

J of

q for

K and

r with

L only

s that

M on

A the

N by

B a

O from

C an

P than

D as

Q for

E at

R with

F in

S that

G to